



**SWISSGEAR™**

## ASSEMBLY INSTRUCTIONS

### MODEL - SG33018

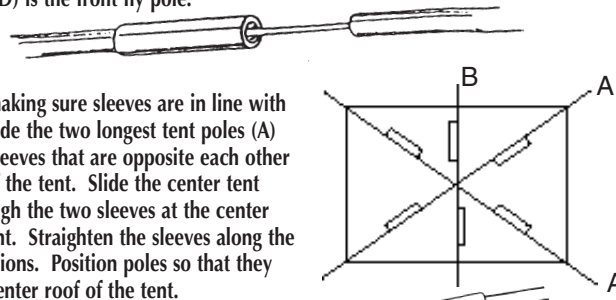
Patent No. D478,645

**IMPORTANT:** We advise you to assemble the tent once before going camping to become familiar with the assembly. It is recommended two adults be involved in set up.

**NOTE:** To prolong the life of the tent floor, select a level, clean area for the campsite. To prevent damage to the zipper, unzip the doors, prior to tent set-up, to allow air to enter the tent. To improve the weather resistance of your tent, it is advisable to use seam sealer to coat all exposed seams. You should apply only to the underside of the fly and inside seams of the tent. If applied to the outside of seams, discoloration of your tent may occur. Seam sealer is available in the camping section of your local sporting goods store. For your convenience and improved tent functionality, we have developed a self-contained storm flap pocket. Simply unzip the storm flaps covering the windows and doors and drop into the pocket that has been formed between the bottom of the storm flap and the mesh window.

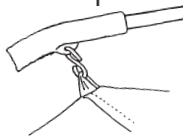
**STEP 1:** Spread tent out flat, floor side down. Unzip doors.

**STEP 2:** Locate the fiberglass tent frame poles. Extend each fiberglass pole by pulling out each section and placing it into the metal ferrule. You will have 6 fiberglass poles. The two longest poles with plastic joints on each end (A) are the main tent poles, which run corner to corner across your tent. The shortest pole, also with plastic joints on each end (B) is the center roof ridge pole. The two poles that are the same length and have ferrules on each end (C) are the side window poles. The remaining pole, with ferrules on each end (D) is the front fly pole.



**STEP 3:** While making sure sleeves are in line with each other, slide the two longest tent poles (A) through the sleeves that are opposite each other on the roof of the tent. Slide the center tent pole (B) through the two sleeves at the center roof of the tent. Straighten the sleeves along the fiberglass sections. Position poles so that they cross at the center roof of the tent.

**STEP 4:** Locate the six plastic elbow joints and the small hooks at each roof corner and at the center of the tent to the holes in each of the plastic elbow joints. Flexing the fiberglass will be necessary.



**STEP 5:** Extend each of the 7 wire-corded steel frame poles. The four longer poles with attached molded plastic corner joints are the four corner poles. The two poles that have joints with two openings (E) are the front corner poles. The two shorter steel poles are the center poles (G). The shortest steel pole with plastic end caps (H) can be used later as a clothesline pole.

**STEP 6:** Insert the two center poles (G) in the open end of the plastic elbow at the center of the tent. Note that the metal ring that is attached to the tent pole should be on the upper end. The ring will be used for the fly attachment. With a person on each side of the tent, raise up the center frame uprights and place the bottom ends of the frame over the metal pins at the center base of the tent.



**STEP 7:** Locate the four corner poles that have plastic joints attached. Take the two poles whose plastic joints have two openings and attach to the plastic elbow joints at each front tent corner. The plastic joints on the side uprights should be facing up. Next, take the two rear corner poles, that each have only one opening on the plastic joint and joint to the plastic elbow joints at the rear tent corners. Again, make certain the plastic joints on the side uprights are facing up.

**STEP 8:** With a person on opposite ends of the poles, flex the fiberglass into an arch and place the bottom ends of the steel uprights over the pins at the tent corners. Repeat this step with the remaining corners poles.

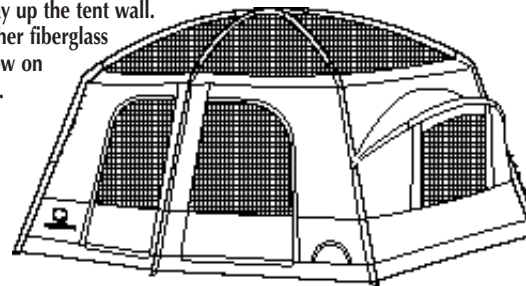
**STEP 9:** Stake down tent by inserting tent stakes through the stake loops at the tent floor corners. Hammer stakes into the ground at a 45° angle by using a hammer or mallet. Make sure to pull tent out even and tight.



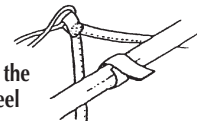
**STEP 10:** Continue to stake down the tent floor by using stakes and staking down the intermediate stake loops.

**STEP 11:** Take one of the two side fiberglass window poles (C) and insert into the sleeve over the side window on one end of tent. With a person on each end of the window pole, flex the fiberglass pole and insert the ends into the lower plastic joints attached to the corner poles, approximately midway up the tent wall. Repeat this step with the other fiberglass window pole and the window on the opposite end of the tent.

Tent should appear as shown.

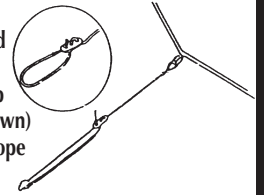


**STEP 12:** Unfold fly and stretch out all corners. Place the fly over the tent, making certain the fly awning is over the front doors. Attach fly to tent by attaching the plastic hooks on the corners to the D-rings at the corners of the tent and to the metal rings on the steel center uprights. Secure the fly to the tent by wrapping the Velcro fasteners at each corner of the fly around the tent poles.



**STEP 13:** Insert the fly pole (D) into the sleeve found at the very edge of the fly awning, over the front doors. With a person on each end of the fly pole, flex the pole and insert each end into the upper plastic joints attached to the steel corner uprights.

**STEP 14:** Guy ropes have been provided for the fly. You should have eight guy ropes. Tie the four longer guy ropes through loops on the fly edges at the four tent corners. Make a loop at the opposite end of the guy rope by using a slider (as shown) and place loop over tent stake. Adjust slider to make guy rope tight and stake to the ground. Extra tent stakes have been included for this.



**STEP 15:** Attach the remaining, shorter guy ropes to the loops sewn to the fly above the side windows. Following the same assembly procedure as detailed in step 14, stake each guy rope to ground.

**STEP 16:** There is a mud mat included with your tent that can be staked to the ground in front of the tent doors with the small metal pin stakes. Insert a stake through each of the grommets on the mat corners and stake to the ground in front of the tent door. This will help to keep your tent floor clean.

Tent should appear as shown.



**NOTE:** A divider curtain is included which can be used to divide your tent into separate rooms for privacy. Simply attach to the loops located at the center and side walls, inside your tent. Also, convenience pockets are provided for storing small camping gear up off of the tent floor, yet within easy reach.

There is a hanging corner shelf which can be attached to the inside corners of your tent by attaching to the fabric loops. PLEASE NOTE THAT THE RECOMMENDED WEIGHT LIMIT ON THE SHELF IS 10 LBS. There is also a clothesline pole which can be attached to the rear tent wall to hold towels or small camping items. PLEASE NOTE THAT THE RECOMMENDED WEIGHT LIMIT ON THE CLOTHESLINE POLE IS 20 LBS.

**NOTE:** To take down tent, follow the above steps in the reverse order. Be sure to leave doors unzipped. Place stakes into stake bag and poles into pole bag, which are provided.

The tent should be folded into equal parts toward the center of the tent to distribute the bulk. Fold fly and lay on top of tent. Start a small tight roll, the width of your carry bag, with the pole bag placed at the end opposite the main door. Roll tent toward door to allow air to escape. Once rolled, tie string around tent to hold in place. Slide tent and stake bag into carry bag and tighten with the compression straps. Make sure tent is clean and dry before storing.



**SWISSGEAR™**

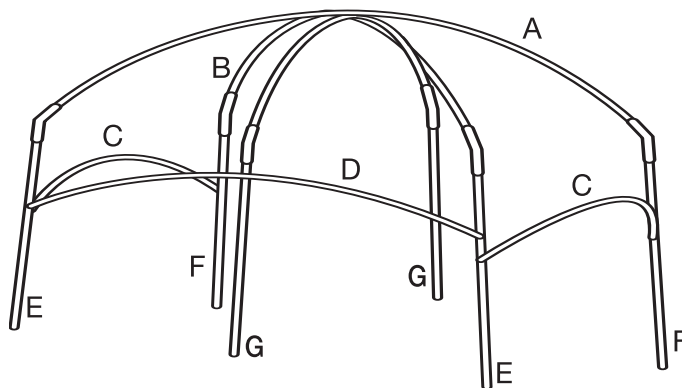
**ASSEMBLY INSTRUCTIONS**

**MODEL - SG33018**

**DO NOT LEAVE YOUR TENT SET UP IN DIRECT SUN-LIGHT LONGER THAN NECESSARY.** The sun's ultraviolet (UV) light degrades almost every fabric and material. If left in sunlight for prolonged periods of time, fabric will fade and weaken. UV damage is not covered by the manufacturer's warranty. Do not store tent on concrete floor.

Your tent is water repellent. However, it is not waterproof. During heavy rain, some leakage may occur. Keep objects from touching the inside of the tent. Such objects may cause leakage at point of contact. If seam leakage occurs, it can be controlled by applying a seam sealer compound.

Although our tents and screen houses are constructed to rigid specifications, periods of wind or rain soaking the ground may loosen the stakes and cause the frame to sink into the ground. This will weaken the rigidity of the overall structure. Water pockets may also form in the roof if the unit is not assembled taut, possibly causing broken frames and torn fabric.



**WARNING!**

**KEEP ALL FLAME AND HEAT SOURCES AWAY FROM THIS TENT FABRIC.** This tent is made with flame resistant fabric which meets CPAI-84 specifications. **IT IS NOT FIRE-PROOF.** The fabric will burn if left in continuous contact with any flame source. The application of any foreign substance to the tent fabric may render the flame-resistant properties ineffective.



**DANGER:**

Stoves, lanterns, candles, grills, heaters and other fuel burning devices produce carbon monoxide and will consume the available oxygen in this tent. Use of such devices in this tent will cause asphyxiation, carbon monoxide poisoning, and death or serious and permanent injuries. For this reason:

- DO NOT use fuel-burning devices inside or near this tent
- Your failure to follow this warning will cause death or serious and permanent injury to you or others using this tent.

**DO NOT...**

1. Do not pitch tent near open fire.
2. Do not leave campfire unattended.
3. Do not leave children unattended inside a tent.
4. Do not use heating, lighting or cooking equipment with open flames in or near tents.
5. Do not use other than recommended water repellent compounds on your tent.
6. Do not spray the tent with insecticide.

**DO...**

1. Always extinguish campfire before leaving area.
2. Exercise care when using electricity and lighting in and near tents.
3. Make certain your tent is properly ventilated in all weather conditions. In extreme weather conditions, snow could obstruct airflow and cause asphyxiation unless cleared frequently.
4. Anchor your tent securely to provide additional security from changing climatic conditions. Snow pegs, skis and/or heavy rocks may be necessary to supplement tent stakes and guy cords.
5. Take your tent down and store properly after camping.

**REPLACEMENT PARTS**

If you have questions or need to order a part, call 1-888-797-2769. Have your model number and part number ready when you call.

**DO NOT ORDER BY REFERENCE KEY NUMBER.**

Send your request for parts to: American Recreation Products, Inc.  
1224 Fern Ridge Parkway  
St. Louis, MO 63141-4451



**SWISSGEAR™**

From the Maker of the Genuine Swiss Army Knife™

KEY NO.	MODEL NO. SG33018, 14' x 10'		QTY. REQ
	DESCRIPTION	PART NO.	
A	Fiberglass Tent Pole-Longer	04-0095	2
B	Fiberglass Tent Pole-Center	04-0096	1
C	Side Window Poles	04-0097	2
D	Fly Pole	04-0098	1
E	Steel Corner Pole-Longer (Front)	03-0078BS	2
F	Steel Corner Pole-Longer (Rear)	04-0104BS	2
G	Steel Center Pole	97-0060B	2
H	Clothesline Pole	03-0079BS	1
	Replacement Fly	SG33018FLY	1
	Complete Frame	SG33018FR	1
	Stakes-Small	PIN STAKE	6
	Guy Ropes	A1001-SG	8
	Stakes-Large	7.5 STAKE	16
	Mud Mat	SG33018MAT	1
	Carry Bag	SG33018BAG	1
	Mesh Corner Shelf	36154SH	1
	Divider Curtain	SG33018DC	1