

# MODEL 36187 - CLEAR LAKE

PATENT NO. D478,645

## ASSEMBLY INSTRUCTIONS

**IMPORTANT: WE ADVISE YOU TO ASSEMBLE THE TENT ONCE BEFORE GOING CAMPING TO BECOME FAMILIAR WITH THE ASSEMBLY. IT IS RECOMMENDED TWO PEOPLE BE INVOLVED IN SET UP.**

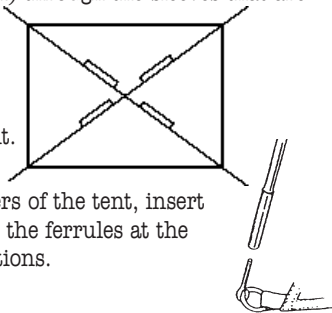
**NOTE: PLEASE LOOK AT THE REPLACEMENT PARTS DIAGRAM TO SEE HOW YOUR FRAME IS ASSEMBLED.**

- To prolong the life of the tent floor, select a level, clean area for the campsite.
- To prevent damage to the zipper, unzip the doors, prior to tent set-up, to allow air to enter the tent.
- To improve the weather resistance of your tent, it is advisable to use seam sealer to coat all exposed seams. You should apply only to the underside of the fly and inside seams of the tent. If applied to the outside of seams, discoloration of your tent may occur. Seam sealer is available in the camping section of any local sporting goods store.
- For your convenience and improved tent functionality, we have developed a self-contained storm flap pocket. Simply unzip the storm flaps covering the windows and doors and drop into the pocket that has been formed between the bottom of the storm flap and the mesh window.

**STEP 1:** Spread tent out flat, floor side down. Unzip doors.

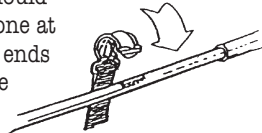
**STEP 2:** Extend fiberglass frame sections by pulling out each section and placing it into the metal ferrules. You will have four pole sections. The two longest poles (A) are the tent poles. The two shorter poles consist of straight poles connected with two prebent ferrules (B). When assembled, each pole should form a "U" shape.

**STEP 3:** While making sure sleeves are in line with each other, slide each fiberglass tent pole (A) through the sleeves that are opposite each other on the roof of the tent. Straighten the sleeves along the fiberglass sections. Position poles so that they form an "X" across the tent.



**STEP 4:** Starting at the back corners of the tent, insert pins located at each corner into the ferrules at the ends of the fiberglass frame sections.

**STEP 5:** One person should now go into one of the front doors of the tent and gently lift the roof of the tent and the poles up off the ground. The other person should carefully flex the main room poles, one at a time, and place the ferrules at the ends of the pole over the metal pins at the base of the tent. Clip plastic hooks to the fiberglass frame sections.

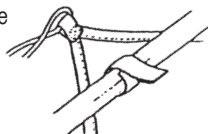


**STEP 6:** Stake down tent by inserting tent stakes through the stake loops at each corner of the tent, hammering stakes into ground at a 45° angle, making sure the tent floor is pulled out even and tight. Continue staking down the tent with the stakes and the intermediate stake loops.

Tent should appear as shown.

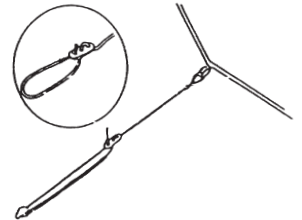


**STEP 7:** Unfold the fly. Place fly over tent and attach the hooks on the fly corners to the metal rings at the tent corners. Fasten the Velcro fasteners, sewn to the edge of the fly around the fiberglass tent poles.



**STEP 8:** Locate the two fly poles (B). Insert one of the fly poles into the sleeve at the very edge of the fly awning, over the front doors, making certain the prebent frame ferrules are positioned at each end of the fly sleeve. Flex the fiberglass fly pole and insert each end into the reinforced metal grommets located on either side of the front door. Repeat this step with the remaining fly pole and the sleeve at the rear of the fly, forming an awning over the rear windows.

**STEP 9:** Guy ropes have been provided for the fly. Tie guy ropes through loops found on the edge of the fly, above the side mesh walls. Make a loop at the opposite end of the guy rope by using slider (as shown) and place loop over tent stake. Adjust slider to make guy rope tight. Extra tent stakes have been included for this.



Tent should appear as shown.



**NOTE:** There is a mud mat included with your tent that can be staked to the ground in front of the tent doors to help keep your tent floor clean. There is also a divider curtain included which can be attached to the inside tent walls to divide your tent into two rooms.

To take down tent, follow steps above in the reverse order. Be sure to leave tent unzipped. Place stakes into stake bag and poles into pole bag, which are provided. The tent should be folded into equal parts toward the center of the tent to distribute the bulk. Fold fly and lay on top of tent. Start a small tight roll, the width of your carry bag, with the pole bag placed at the end opposite the doors. Roll tent toward doors to allow air to escape. Once rolled, secure with strings or rope. Slide tent and stake bag into carry bag. Make sure tent is clean and dry before storing.

# SAFETY AND CARE WARNING!

**KEEP ALL FLAME AND HEAT SOURCES AWAY FROM THIS TENT FABRIC.** This tent is made with flame resistant fabric which meets CPAI-84 specifications. **IT IS NOT FIREPROOF.** The fabric will burn if left in continuous contact with any flame source. The application of any foreign substance to the tent fabric may render the flame-resistant properties ineffective.

## DO NOT...

1. Do not pitch tent near open fire.
2. Do not leave campfire unattended.
3. Do not leave children unattended inside a tent.
4. Do not use heating, lighting or cooking equipment with open flames in or near tents.
5. Do not use other than recommended water repellent compounds on your tent.
6. Do not spray the tent with insecticide.
7. Never use any fuel burning oxygen consuming device or any devices that produce any fumes, including without limitation stoves, lanterns, candles, hibachis, or heaters in or around your tent. This could result in carbon monoxide poisoning, injury and/or death.

## DO...

1. Always extinguish campfire before leaving area.
2. Exercise care when using electricity and lighting in and near tents.
3. Make certain your tent is properly ventilated in all weather conditions. In extreme weather conditions, snow could obstruct airflow and cause asphyxiation unless cleared frequently.
4. Anchor your tent securely to provide additional security from changing climatic conditions. Snow pegs, skis and/or heavy rocks may be necessary to supplement tent stakes and guy cords.
5. Take your tent down and store properly after camping.

## DO NOT LEAVE YOUR TENT SET UP IN DIRECT

**SUNLIGHT LONGER THAN NECESSARY.** THE SUN'S ULTRAVIOLET (UV) LIGHT DEGRADES ALMOST EVERY FABRIC AND MATERIAL. IF LEFT IN SUNLIGHT FOR PROLONGED PERIODS OF TIME, FABRIC WILL FADE AND WEAKEN. UV DAMAGE IS NOT COVERED BY THE MANUFACTURER'S WARRANTY. DO NOT STORE TENT ON CONCRETE FLOOR.

Your tent is water repellent. However, it is not waterproof. During heavy rain, some leakage may occur. Keep objects from touching the inside of the tent. Such objects may cause leakage at point of contact. If seam leakage occurs, it can be controlled by applying a seam sealer compound.

Although our tents and screen houses are constructed to rigid specifications, periods of wind or rain soaking the ground may loosen the stakes and cause the uprights to sink into the ground. This will weaken the rigidity of the overall structure. Water pockets may also form in the roof if the unit is not assembled taut, possibly causing broken frames and torn fabric.



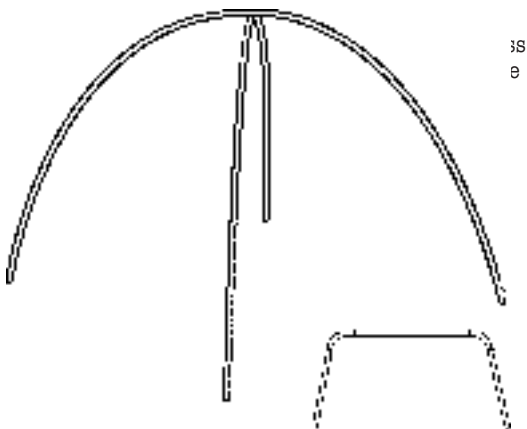
# REPLACEMENT PARTS

If you have questions or need to order to a part, call 1-800-325-TENT or log into our website at [www.wenzelco.com](http://www.wenzelco.com). Have your model number and part number ready when you call.

**DO NOT ORDER BY REFERENCE KEY NUMBER.**

Send your request for parts to:

**American Recreation Products, Inc.**  
1224 Fern Ridge Parkway  
St. Louis, MO 63141-4451



| KEY NO. | MODEL NO. 36187, 12' x 10'   |           | QTY. REQ |
|---------|------------------------------|-----------|----------|
|         | DESCRIPTION                  | PART NO.  |          |
| A       | Fiberglass Tent Pole Section | 04-0059   | 2        |
| B       | Fiberglass Fly Pole Section  | 04-0060   | 2        |
|         | Complete Frame               | 36187FR   | 1        |
|         | Replacement Fly              | 36187FLY  | 1        |
|         | Guy Ropes                    | A1001     | 6        |
|         | Plastic Stakes               | 7.5 STAKE | 14       |
|         | Metal Stakes                 | PIN STAKE | 4        |
|         | Mud Mat                      | 36187MAT  | 1        |
|         | Divider Curtain              | 36187DC   | 1        |